

## SCSI III 68pin Removable Tray & Frame, Plastic

### Packing List - Check Contents Prior To Installation:

- 1) 1 - 5.25" Plastic 68pin Frame
- 2) 1 - 3.5" Plastic 68pin Tray
- 3) 1 - Screw/Key Pack
- 3) 1 - Installation Guide

### Electrostatic Discharge

Many components on your hard disk are susceptible to electrostatic discharge. To prevent damage to these components, take careful precautions before handling your hard disk.

### Remove the Casing for your Tower/Enclosure

1. Unplug the computer, as well as all peripheral devices and cables.
2. Referring to the owner's manual for your computer or enclosure, remove the outer casing.
3. Referring to the owner's manual for your computer or enclosure, remove any front panel or bezel on the 5.25" bay you plan on installing your tray & frame in.

### Install the Frame

1. Place the Frame into the 5.25" Bay with the backplane of the Frame toward the rear of the bay. To determine which side of your frame is the top, view the frame from the back (Figure 2) if the fan is on the left side, you are holding the frame right side up.
2. Line up the four bracket holes in the frame with the corresponding holes in your 5.25" bay. Using the screws which can be found inside of your tray (along with the keys to the tray lock), fasten the frame into the bay.
3. With the frame securely fastened, slide the tray into the frame to ensure that the tray fits snugly but smoothly into the frame. Be sure that the tray is right side up by viewing the front (handle side) of the tray. If the tray is right side up, the lock will be visible on the right side of the tray. As the tray is slid into the frame, apply even pressure to both sides of the tray to ensure a proper connection.
4. Remove the tray by gently lifting on the FORCE-LESS™ handle until the tray is dislodged from the frame. Then, gently pull on the tray with the handle until the tray is completely removed from the frame assembly.

### Make Wire Connections Between Frame and Enclosure

1. With the frame mounted in the enclosure, turn the enclosure so that you have a clear view of the backplane of the frame. Connect the 68 pin HDD controller cable and the power cable.
2. Referring to Figure 3, as well as the documentation provided with your enclosure, connect the SCSI ID cables to the five connectors as shown in Figure 3.

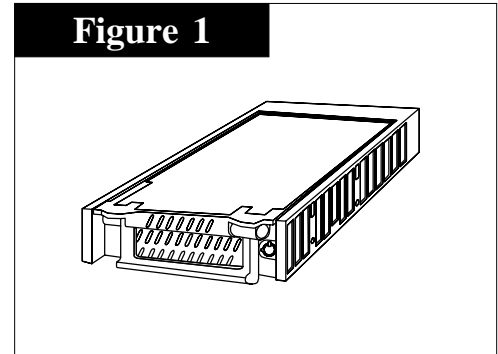


Figure 1

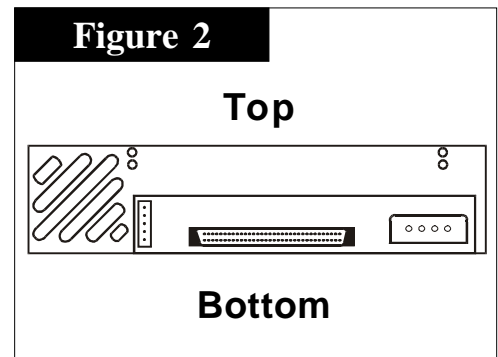


Figure 2

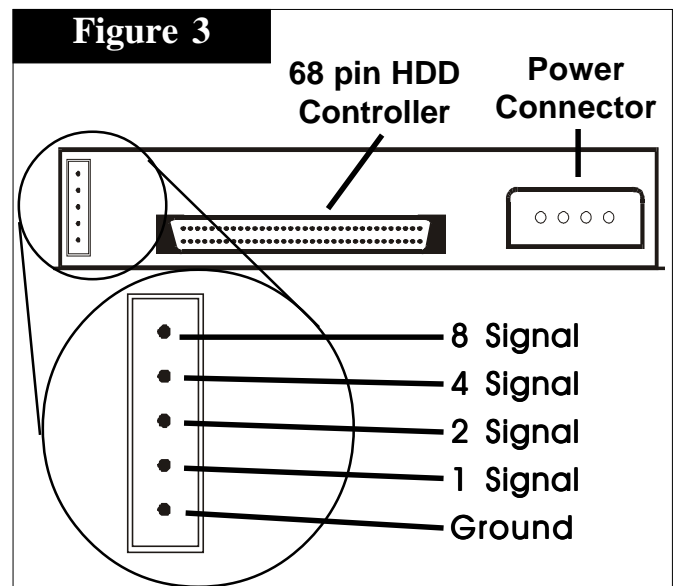


Figure 3

(MORE)

### Install Hard Drive into tray

NOTE: Please reference the documentation that came with your hard drive for diagrams which show the SCSI pin location(s) on your drive.

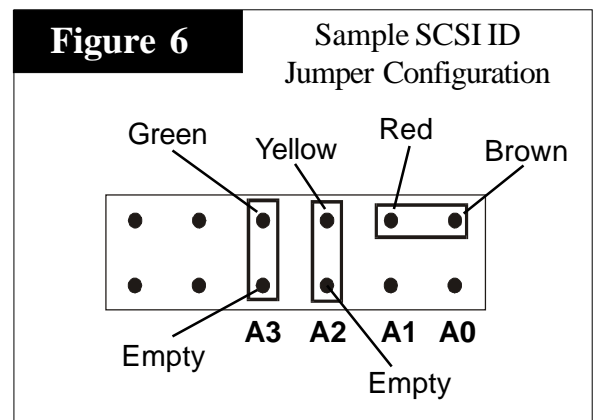
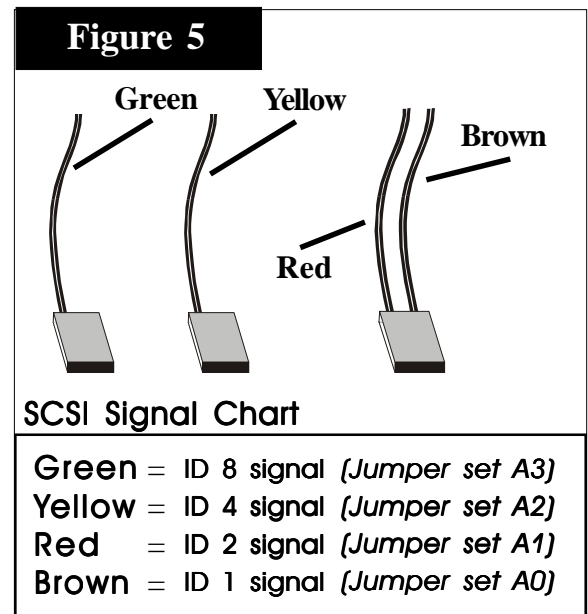
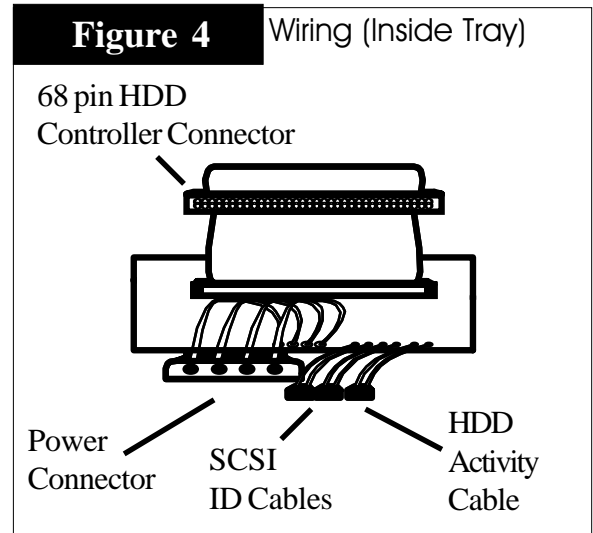
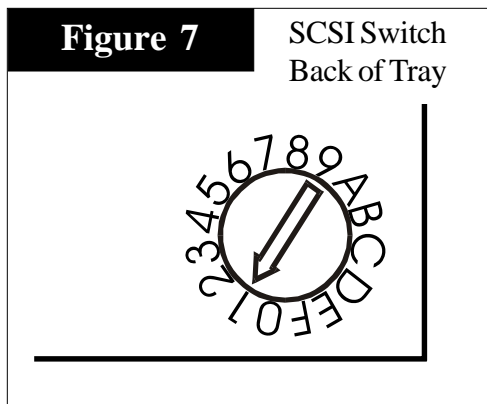
1. Open your DataTrans tray by gently pulling the "open" tab on the cover of the tray away from the tray side and then slide the cover toward the rear of the tray. You will find the tab on the front left corner of the tray cover.
2. Inside your tray you will find several sets of cabling, including a four-pin power connector, a 68pin HDD controller connector, a set of 5 wires for SCSI ID, and a set of two wires for the Drive Activity LED (See Figure 4).
3. Referencing the manual that came with your drive, plug the SCSI ID cables into the back of the drive. Figure 5 provides a nomenclature color diagram for the SCSI ID cabling inside the tray. Figure 6 provides a sample jumper configuration
4. If you desire, plug the Drive Activity Cable into the appropriate connector on your drive.
5. Plug the four-pin power connector and the 68pin HDD controller connector into the drive.
6. Mount the drive into the tray using the four screws provided.
7. Replace the cover by following the reverse procedure for removing it in step 1.

### Install Tray into Frame

1. Prior to replacing the cover on your enclosure, be sure to set your SCSI ID using the rotary switch located on the bottom right of the tray (Figure 7). Do not confuse the SCSI ID cables with the Drive Activity Cable, which is a paired cable on the same terminal which consists of one **Black** wire and one **Red** wire (Red is signal, Black is ground).
2. Insert a key from the set provided into your tray lock, and turn the key counter clockwise to lock the tray - the drive is now ready to receive power, and should power up normally when your system is on.

### Replace Enclosure Cover

1. Following the documentation provided by the manufacturer of your enclosure, replace the cover of the enclosure.



**DataStor, 12601 Monarch Street, Garden Grove, CA, 92841-3918**  
**Phone (800) 777-6621 / Fax: (714)833-9600 / Web Site: www.dstor.com**

Installation Guide - DataTrans 68 pin Plastic Removable Tray&Frame, Rev 1.0 - December 1998 - P/N DT51UWS-P