

SCSI 50pin Removable Tray & Frame, Aluminum

Packing List - Check Contents Prior To Installation:

- 1) 1 - 5.25" Aluminum 50pin Frame
- 2) 1 - 3.5" Aluminum 50pin Tray
- 3) 1 - Screw/Key Pack
- 3) 1 - Installation Guide

Electrostatic Discharge

Many components on your hard disk are susceptible to electrostatic discharge. To prevent damage to these components, take careful precautions before handling your hard disk.

Remove the Casing for your Tower/Enclosure

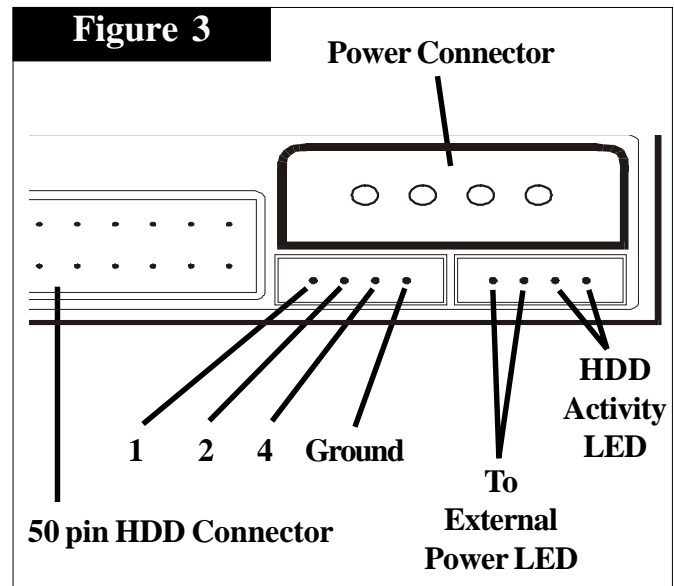
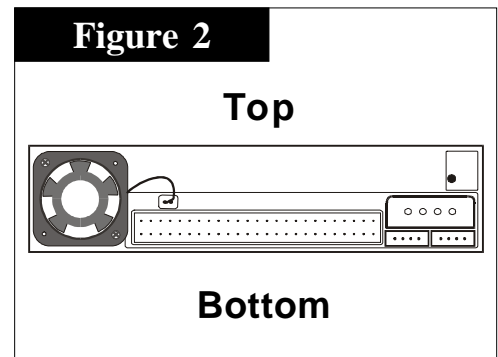
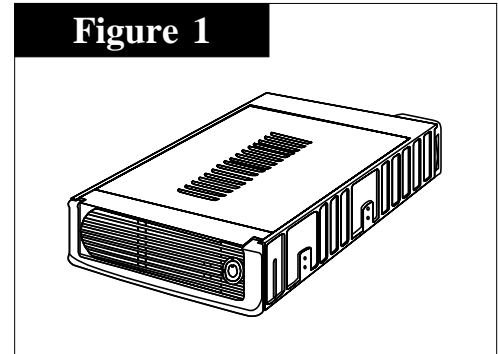
1. Unplug the computer, as well as all peripheral devices and cables.
2. Referring to the owner's manual for your computer or enclosure, remove the outer casing.
3. Referring to the owner's manual for your computer or enclosure, remove any front panel or bezel on the 5.25" bay you plan on installing your tray & frame in.

Install the Frame

1. Place the Frame into the 5.25" Bay with the backplane of the Frame toward the rear of the bay. To determine which side of your frame is the top, view the frame from the back (Figure 2) if the fan is on the left side, you are holding the frame right side up.
2. Line up the four bracket holes in the frame with the corresponding holes in your 5.25" bay. Using the screws which can be found inside of your tray (along with the keys to the tray lock), fasten the frame into the bay.
3. With the frame securely fastened, slide the tray into the frame to ensure that the tray fits snugly but smoothly into the frame. Be sure that the tray is right side up by viewing the front (handle side) of the tray. If the tray is right side up, the lock will be visible on the right side of the tray. As the tray is slid into the frame, apply even pressure to both sides of the tray to ensure a proper connection.
4. Remove the tray by gently lifting on the FORCE-LESSSM handle until the tray is dislodged from the frame. Then, gently pull on the tray with the handle until the tray is completely removed from the frame assembly.

Make Wire Connections Between Frame and Enclosure

1. With the frame mounted in the enclosure, turn the enclosure so that you have a clear view of the backplane of the frame. Connect the 50 pin HDD controller cable and the power cable.
2. Referring to Figure 3, as well as the documentation provided with your enclosure, connect the SCSI ID cables to the five connectors as shown in Figure 3.



(MORE)

Install Hard Drive into tray

NOTE: Please reference the documentation that came with your hard drive for diagrams which show the SCSI pin location(s) on your drive.

1. Open your DataTrans tray by pulling the side of the tray cover away from the railing and firmly lifting of the cover. If you have difficulty, try using a pen knife or watchmaker's screw driver to separate the cover from the railing. NOTE: You can remove either the top or bottom cover in this fashion, and the drive can be mounted/accessed with either or both of the covers removed.
2. Inside your tray you will find several sets of cabling, including a four-pin power connector, a 50pin HDD controller connector, a set of 5 wires for SCSI ID, and a set of two wires for the Drive Activity LED (See Figure Four).
3. Referencing the manual that came with your drive, plug the SCSI ID cables into the back of the drive. Figure Five provides a nomenclature color diagram for the SCSI ID cabling inside the tray.

NOTE: Some drive manufacturers list the SCSI ID block jumpers as 0,1 and 2 as opposed to 1,2, and 4. If this is the case with your drive, translate as follows 0=1 signal, 1=2 signal, and 2=4 signal.

4. If you desire, plug the Drive Activity Cable into the appropriate connector on your drive.
5. Plug the four-pin power connector and the 50pin HDD controller connector into the drive.
6. Mount the drive into the tray using the four screws provided.
7. Replace the cover by following the reverse procedure for removing it in step 1.

Install Tray into Frame

1. Set the SCSI ID using the rotary switch located on the bottom right of the frame (Figure 6). If you are planning on using an external SCSI ID switch set the rotary to "0". Do not confuse the SCSI ID cables with the Drive Activity Cable, which is a paired cable on the same terminal which consists of one **Black** wire and one **Red** wire (Red is signal, Black is ground).
2. Insert your tray into it's frame as defined in step 3 of "Install the Frame".
3. Insert a key from the set provided into your tray lock, and turn the key counter clockwise to lock the tray - the drive is now ready to receive power, and should power up normally when your system is on. NOTE: The unit will not power up until the tray is locked into the frame.

Replace Enclosure Cover

1. Following the documentation provided by the manufacturer of your enclosure, replace the cover of the enclosure.

Figure 4

Wiring (Inside Tray)

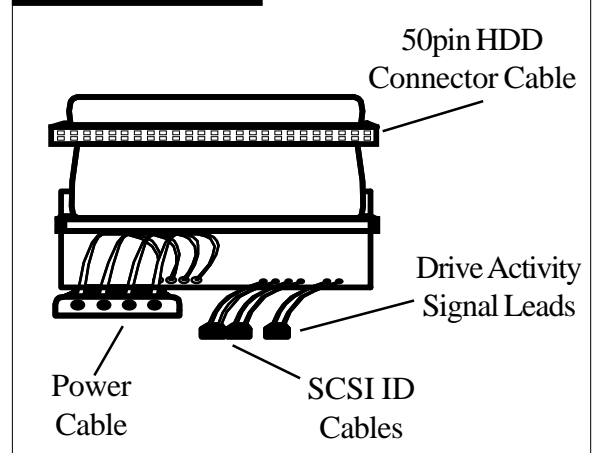


Figure 5

SCSI Wiring (Inside Tray)

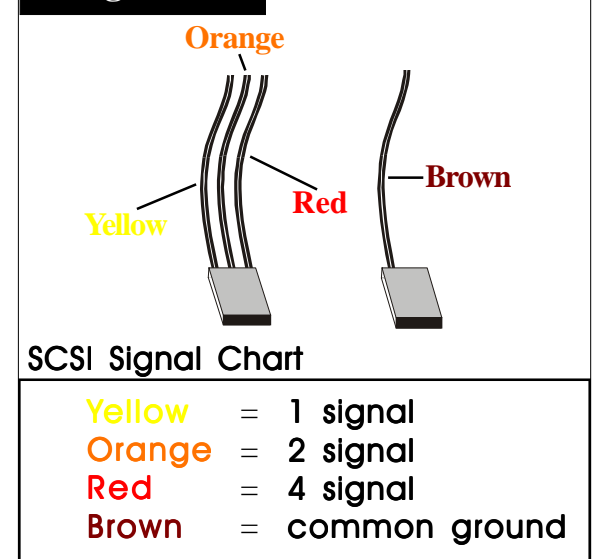
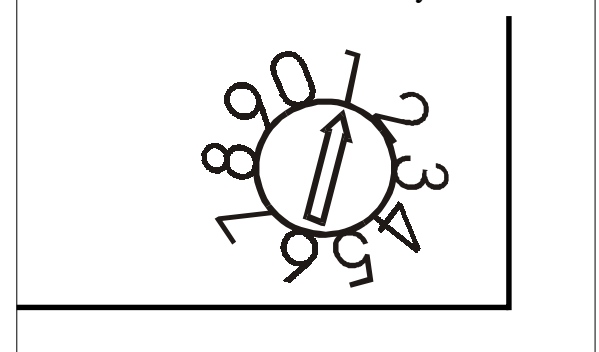


Figure 6

SCSI Switch
Back of Tray



DataStor, 12601 Monarch Street -- Garden Grove, CA 92841
Phone (800) 777-6621 / Fax: (949) 833-9600 / Web Site: www.dstor.com

Installation Guide - DataTrans 50 pin Aluminum Removable Tray&Frame, Rev 1.0 - July 1998 - P/N DT51UN-A