

SCA 80pin Removable Tray & Frame, Plastic

Packing List - Check Contents Prior To Installation:

- 1) 1 - 5.25" Plastic 80pin Frame
- 2) 1 - 3.5" Plastic 80pin Tray
- 3) 1 - Screw Pack
- 3) 1 - Installation Guide

Electrostatic Discharge

Many components on your hard disk are susceptible to electrostatic discharge. To prevent damage to these components, take careful precautions before handling your hard disk.

Remove the Casing for your Tower/Enclosure

1. Unplug the computer, as well as all peripheral devices and cables.
2. Referring to the owner's manual for your computer or enclosure, remove the outer casing.
3. Referring to the owner's manual for your computer or enclosure, remove any front panel or bezel on the 5.25" bay you plan on installing your tray & frame in.

Install the Frame

1. Place the Frame into the 5.25" Bay with the backplane of the Frame toward the rear of the bay. To determine which side of your frame is the top, view the frame from the back (Figure 2) if the fan is on the right side, you are holding the frame right side up.
2. Line up the four bracket holes in the frame with the corresponding holes in your 5.25" bay. Using the screws which can be found inside of your tray, fasten the frame into the bay.
3. With the frame securely fastened, slide the tray into the frame to ensure that the tray fits snugly but smoothly into the frame. Be sure that the tray is right side up by viewing the front of the tray. If the tray is right side up, the thumb latch and SCSI ID Display will be visible on the right side of the tray. As the tray is slid into the frame, apply even pressure to both sides of the tray to ensure a proper connection.
4. Remove the tray by gently lifting on the FORCE-LESS™ handle until the tray is dislodged from the frame. Then, gently pull on the tray with the handle until the tray is completely removed from the frame assembly.

Make Wire Connections Between Frame and Enclosure

1. With the frame mounted in the enclosure, turn the enclosure so that you have a clear view of the backplane of the frame. Connect the 68 pin HDD controller cable and the power cable.
2. Referring to Figures 3 and 4, as well as the documentation provided with your enclosure, connect the SCSI ID and LED cables to the jumpers as shown in Figure 4. Please note that not all drives support the Remote Start, Delay Start or Drive Sync functions.

Figure 1

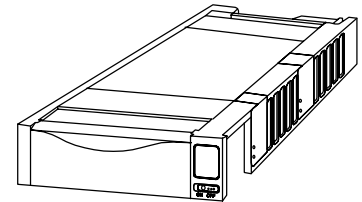


Figure 2

Rear of Frame

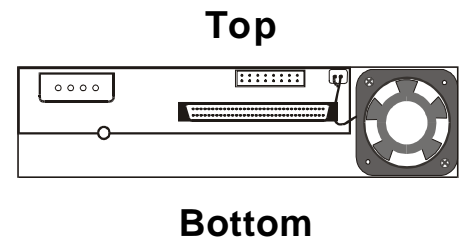
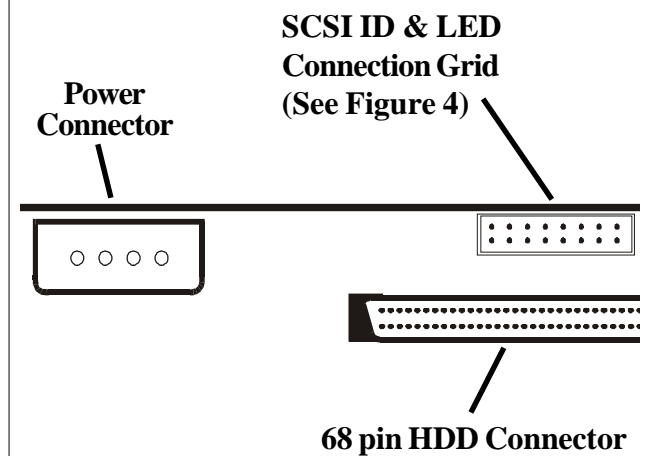


Figure 3

Rear of Frame (Expanded)



(MORE)

Install Hard Drive into tray

NOTE: Please reference the documentation that came with your hard drive for diagrams which show the SCSI pin location(s) on your drive.

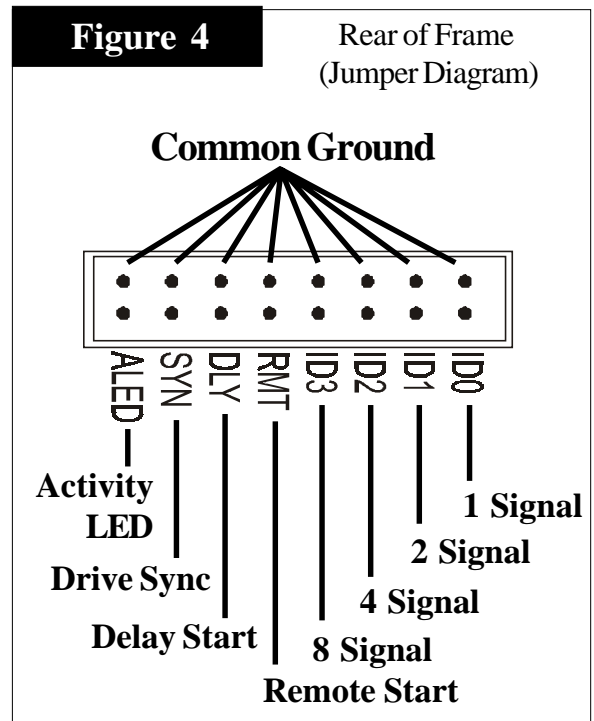
1. Open your DataTrans tray by firmly grasping the top of the tray and pulling the cover toward the rear of the tray.
2. Inside your tray you will find a screw pack containing 8 screws (four for mounting the frame into your enclosure and 4 for mounting the drive into the tray), as well as an extra set of jumper connectors.
3. Referencing the manual that came with your drive, mount the drive into the tray.
4. Replace the cover by following the reverse procedure for removing it in step 1.

Install Tray into Frame

1. Insert your tray into it's frame as defined in step 3 of "Install the Frame". Once the tray is inserted into the frame, move the thumb latch on the right side of the tray to the "On" position. Please note that the drive will not receive any power until the latch is in the "On" position.

Replace Enclosure Cover

1. Following the documentation provided by the manufacturer of your enclosure, replace the cover of the enclosure.



DataStor, 12601 Monarch Street, Garden Grove, CA 92841-3918
Phone (800) 777-6621 / Fax: (714)833-9600 / Web Site: www.dstor.com

Installation Guide - DataTrans SCA 80pin Removable Tray&Frame, Plastic, Rev 1.0 - August 1998 - P/N DT51SCA-P

Copyright 1998 by DataStor, Inc. All rights reserved. No part of this document may be reproduced in any form without prior written consent from DataStor. The information and specifications in this document are subject to change without notice. Changes to this document are incorporated in new versions. DataStor, and the DataStor logo are registered trademarks of DataStor, Inc. Other trademarks used herein are the property of their respective owners. This document was printed in the United States Of America.