

Ultra3 - SCA 80 pin Removable Tray & Frame, Aluminum (Black)

Packing List - Check Contents Prior To Installation:

- 1) 1 - 5.25" Aluminum SCA 80 pin Frame (Black)
- 2) 1 - 3.5" Aluminum SCA 80 pin Tray (Black)
- 3) 1 - Screw/Key Pack
- 3) 1 - Installation Guide

Electrostatic Discharge

Many components on your hard disk are susceptible to electrostatic discharge. To prevent damage to these components, take careful precautions before handling your hard disk.

Remove the Casing for your Tower/Enclosure

1. Unplug the computer, as well as all peripheral devices and cables.
2. Referring to the owner's manual for your computer or enclosure, remove the outer casing.
3. Referring to the owner's manual for your computer or enclosure, remove any front panel or bezel on the 5.25" bay you plan on installing your tray & frame in.

Install the Frame

1. Place the Frame into the 5.25" Bay with the backplane of the Frame toward the rear of the bay. To determine which side of your frame is the top, view the frame from the back (**Figure 2**) if the fan is on the left side, you are holding the frame right side up.
2. Line up the four bracket holes in the frame with the corresponding holes in your 5.25" bay. Using the screws which can be found inside of your tray (along with the keys to the tray lock), fasten the frame into the bay.
3. With the frame securely fastened, slide the tray into the frame to ensure that the tray fits snugly but smoothly into the frame. Be sure that the tray is right side up by viewing the front (handle side) of the tray. If the tray is right side up, the lock will be visible on the right side of the tray. As the tray is slid into the frame, apply even pressure to both sides of the tray to ensure a proper connection.
4. Remove the tray by firmly pulling on the removal handle. The best method for doing this is with a quick, short pull to disconnect the tray from the frame backplane. Once disconnected, the tray should slide out easily.

Make Wire Connections Between Frame and Enclosure

1. With the frame mounted in the enclosure, turn the enclosure so that you have a clear view of the backplane of the frame. Connect the 68 pin HDD controller cable and the power cable to the appropriate connectors on the rear of the frame. If available, you may also connect your RAID Controller input cable to the input plug on the rear of the tray.

Figure 1

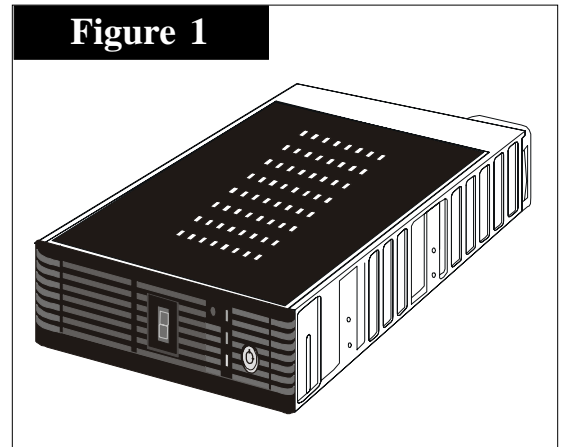


Figure 2

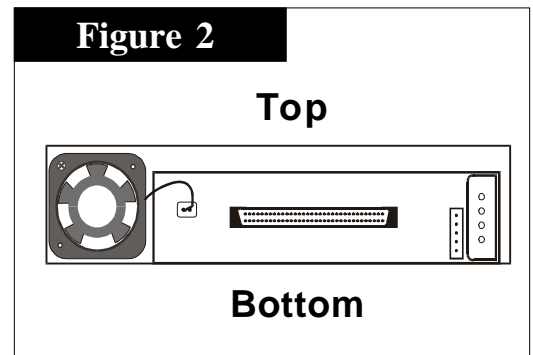
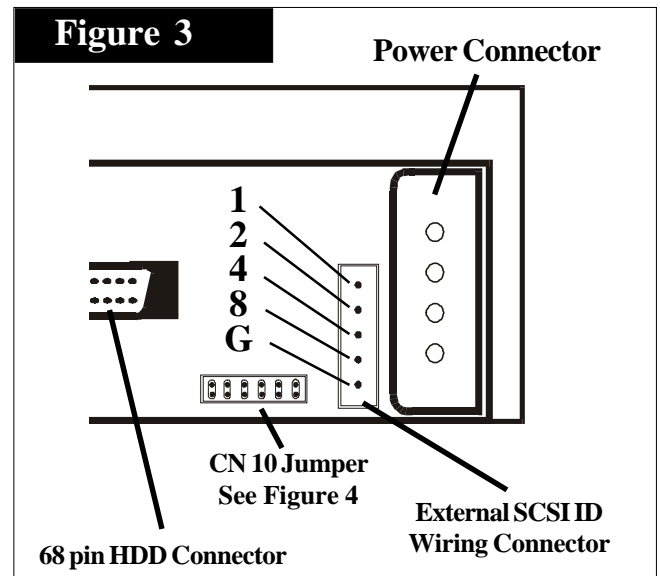


Figure 3



(MORE)

- If desirable, you can connect an external SCSI ID cable to the frame using the External SCSI ID Wiring Connector on the back of the tray (Figure 3). Note that if you opt to use an external SCSI ID switch that you will need to set the rotary switch on the tray to "0" (Figure 5).
- Please refer to (Figure 4) for other external drive jumpers, such as HDD Fail, Activity LED, etc.

Install Hard Drive into tray

NOTE: Please reference the documentation that came with your hard drive for diagrams which show the SCSI pin location(s) on your drive.

- Open your DataTrans tray by pulling the side of the tray covers away from the railing and firmly lifting off the covers. If you have difficulty, try using a pen knife or watchmaker's screw driver to separate the cover from the railing. NOTE: You should remove **BOTH** the top and bottom covers in this fashion.
- After removing the top and bottom covers from the tray, DataStor recommends that you place the tray on a flat surface. Inside your tray you will find a single SCA 80pin connector. Line up the 80 pin connector on the rear of your drive and gently connect the drive to the connector in the tray.
- With your drive now connected to the 80pin connector in the tray, fix the drive into the tray utilizing the universal sidemount manifolds on the sides of the tray and the screw pack that came with your drive. If you do not have the appropriate hardware, you can find the correct hardware at any computer store or dealer.
- Replace the covers by following the reverse procedure for removing it in step 1.

Install Tray into Frame

- Set your SCSI ID using the rotational switch located on the bottom right of the frame (Figure 5).
- Insert your tray into it's frame as defined in step 3 of "Install the Frame". Using the keys provided, insert a key into the lock on the tray and lock the device into it's frame.

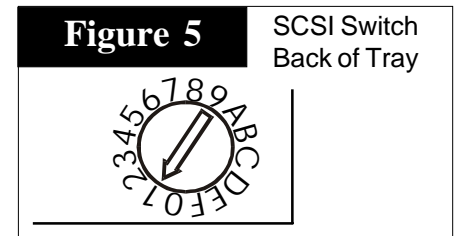
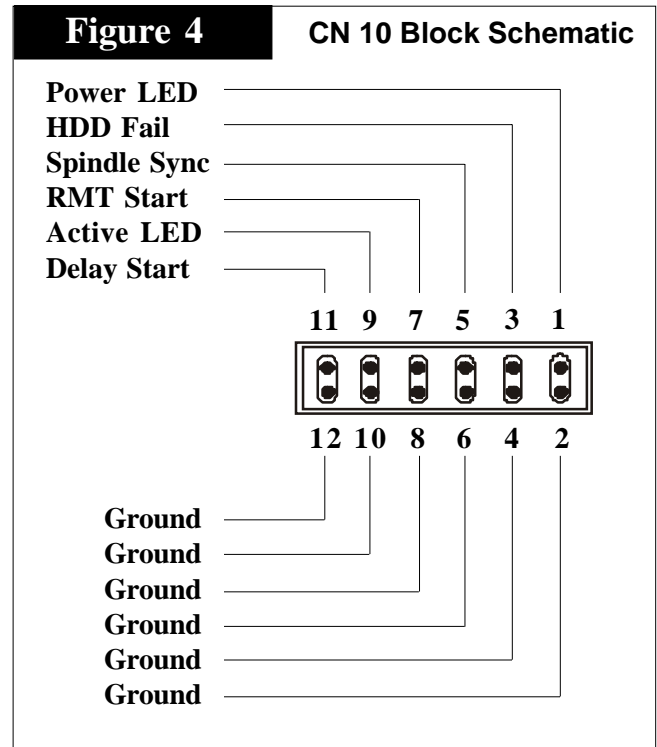
Please note that the drive will not receive any power until the tray is locked into the frame.

Replace Enclosure Cover

- Following the documentation provided by the manufacturer of your enclosure, replace the cover of the enclosure.

How to read the LEDs on the front of the tray

- Green: Power
Yellow: Activity
Red: Drive or Tray failure



DataStor, 12601 Monarch Street, Garden Grove, CA 92841-3918

Phone (800) 777-6621 / Fax: (949)833-9600 / Web Site: www.dstor.com

Installation Guide - DataTrans Ultra3 SCA 80 pin Aluminum Removable Tray&Frame (Black), Rev 2.0 - August 2000 - P/N DT51SCA-AB

Copyright 1999 by DataStor, Inc. All rights reserved. No part of this document may be reproduced in any form without prior written consent from DataStor. The information and specifications in this document are subject to change without notice. Changes to this document are incorporated in new versions. DataStor, and the DataStor logo are registered trademarks of DataStor, Inc. Other trademarks used herein are the property of their respective owners.

This document was printed in the United States Of America.