

Installation Guide

DataStor

External-Bay Tower Enclosure Kit for 5.25" Drives - VERSION 2

Packing List - Check Contents Prior To Installation:

- 1) 1 - DataStor External -Bay SCSI Tower Enclosure
- 2) 1 - 6' AC Power Cord
- 3) 4 - Removable Plastic 5.25" H/H Front Panels
- 4) 4 - Rubber Non-Skid Feet
- 5) 4 - Push Button SCSI ID Select Switches
- 6) 4 - SCSI ID Cable (from switch to drive)
- 7) 1 - DataStor Warranty Card

Electrostatic Discharge

Many components on your hard disk are susceptible to electrostatic discharge. To prevent damage to these components, take careful precautions before handling your hard disk.

Configuring The Termination

- 1) DataStor recommends you remove the internal terminators on the drive, and if termination is required for your setup, use an external terminator (not included) as shown in Figure 2.

Note: For further information on your hard disk's internal terminators or removing the terminators please refer to the hard disk manufacturer's specification guide.

Opening The DataStor Enclosure

- 1) Using a Phillips head screw driver, remove the the seven (7) screws securing the cover to the back panel (Figure 3). Do not remove any screws other than those specified in Figure 3.
- 2) Carefully slide the cover back until it is free from the front panel. Then slowly slide the cover upward and away from the enclosure (Figure 3).

(MORE)

Figure 1

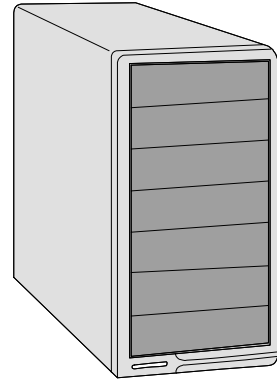


Figure 2

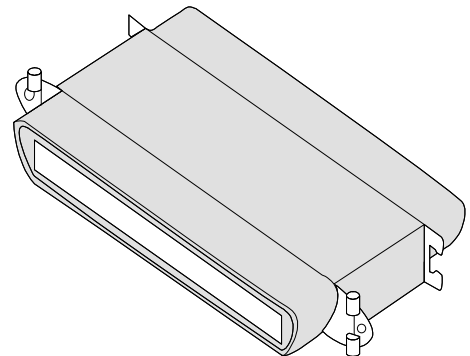
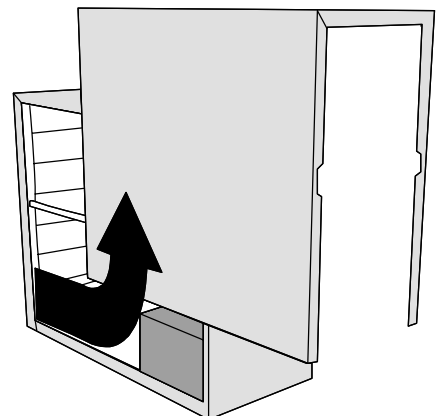


Figure 3



Installing The Hard Disk

If you are **not** familiar with the location of **ALL** the listed items, refer to hard disk user's guide / manufacturer before continuing.

Note: Remove any mounting screws that may be on the drive. Then position the drive into one of the slots in the 7-Bay Tower by placing it in from the front as in Figure 4.

Installing The Cables

- 1) **Power Cable:** Locate the power connector (male) on the drive and connect the power cable as in Figure 5.

The power cable should have 7 end connections; 1 for each drive. If for some reason you do not have 7 connections, They may be chained together incorrectly. To chain them properly refer to Figure 5.

- 2) **SCSI Cable:** Locate the SCSI Cable and connect these in order starting with the bottom drive as shown in Figure 5.
- 3) **SCSI ID Cable:** Because drives vary, refer to Figure 6 to connect the SCSI properly.

Note: If the SCSI ID cable supplied is not compatible with the drives jumper pin setup, you will need the universal SCSI ID cable kit (DataStor PN: 089011).

Finishing The Installation

- 1) Check the drive to make sure it is properly in position. Now replace the mounting screws and fasten the drive to the rack.

Note: If you are installing a 3.5" drive you will need 5.25" conversion brackets (DataStor PN: 104437).

- 2) Starting from the back of the tower, slide the cover slowly over the enclosure, being careful not to pinch any wires. Notice there are metal flaps on the front cover. Position these flaps so they slide under the front panel of the enclosure.

- 3) Check over the enclosure to make sure the cover is completely on. Now replace the screws into the back panel to secure the cover.

Figure 4

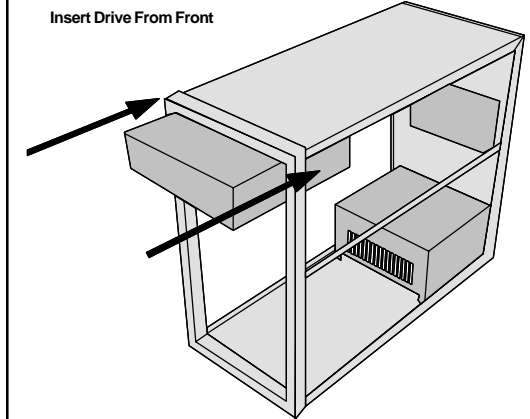


Figure 5

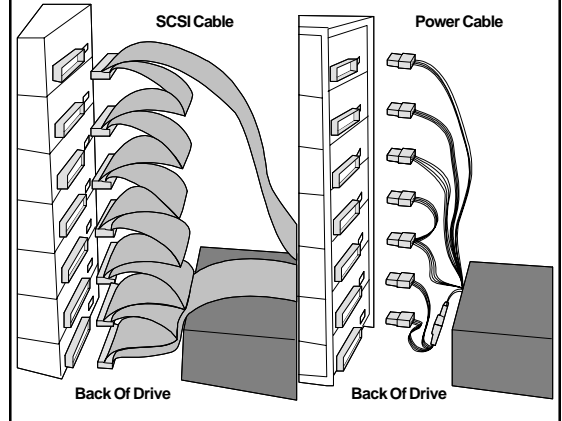
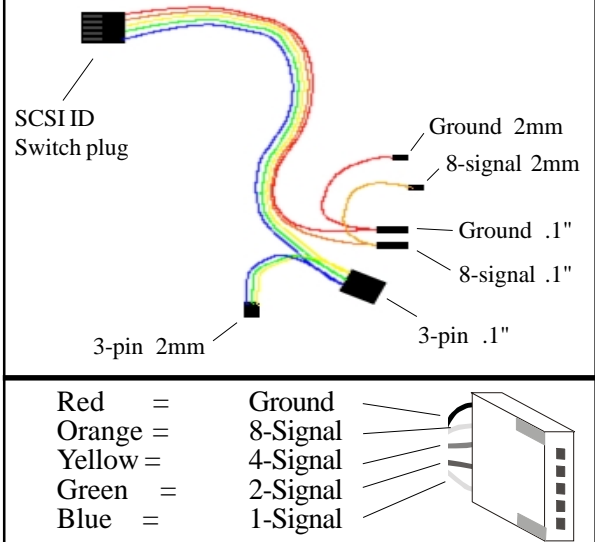


Figure 6

Internal SCSI ID Cabling



DataStor

12601 Monarch Street
Garden Grove, CA 92841-3918
800-777-6621 Fax: 949-833-9600

Copyright 2000 by DataStor, Inc. All rights reserved. No part of this document may be reproduced in any form without prior written consent from DataStor. The information and specifications in this document are subject to change without notice. Changes to this document are incorporated in new versions.

DataStor, and the DataStor logo are registered trademarks of DataStor, Inc. Other trademarks used herein are the property of their respective owners. This document was printed in the United States Of America.