

## Full Height / Dual Height 5.25" SCSI Hard Disk Enclosure Kit

### Packing List - Check Contents Prior To Installation:

- 1) 1 - DataStor 5.25" Hard Disk Enclosure
- 2) 1 - 6' AC Power Cord
- 3) 5 - Rubber Feet
- 4) 4 - Screws (6-32 x 1/4, Phillips Head)
- 5) 1 - Dual Half Height Brackets

### Electrostatic Discharge

Many components on your hard disk are susceptible to electrostatic discharge. To prevent damage to these components, take careful precautions before handling your hard disk.

### Configuring The Termination

- 1) DataStor recommends you remove the internal terminators on the drive, and if termination is required for your setup, use an external terminator (not included) as shown in Figure 2.

**Note:** For further information on your hard disk's internal terminators or removing the terminators please refer to the hard disk manufacturer's specification guide.

### Opening The DataStor Enclosure

- 1) Turn the enclosure top down (Figure 4) with the front side on the left and the back side on the right.
- 2) Use a Phillips Head screw driver to remove the screws
- 3) Turn the enclosure top side up with the front facing to the left.
- 4) Grip the front of the metal mounting tray with your left hand.
- 5) Using your right hand slide the cover off the metal mounting tray, until the cover is completely off the mounting tray.

Figure 1



Figure 2

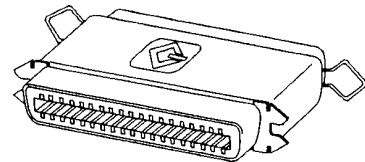


Figure 3

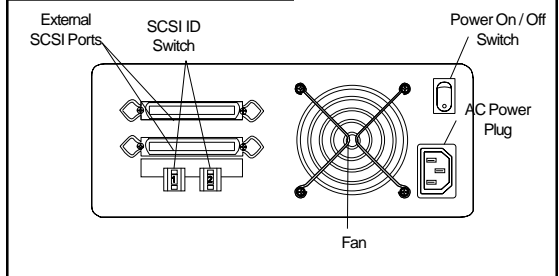
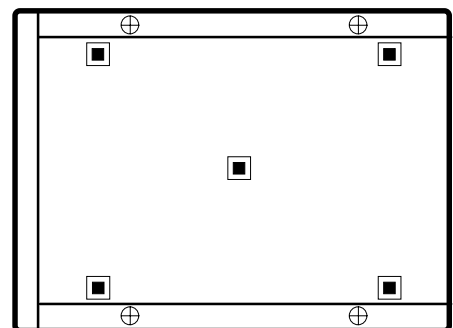


Figure 4



## Installing The Hard Disk

If you are **not** familiar with the location of **ALL** the listed items, refer to hard disk user's guide / manufacturer before continuing.

- SCSI connector.
- Power connector.
- LED (Activity) light pins/port.
- SCSI ID pins and pin #1.

## Installing The Cables

- 1) If the SCSI ID Cable (Figure 6) has not been connected to the SCSI ID Switch install it per Figure 6.
- 2) Locate the SCSI ID Pins on your hard disk and connect the SCSI ID cable to them (Figure 6).

**Note:** If the wire colors differ from what is shown in Figure 6, attach the SCSI ID cable to the SCSI ID switch with the missing wire toward the top. Take the bottom wire and follow it to the other side of the SCSI ID cable and connect it to the hard disk SCSI ID Pin #1.

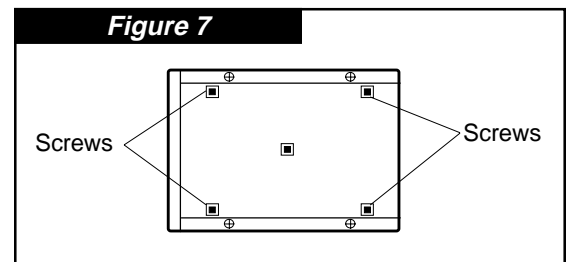
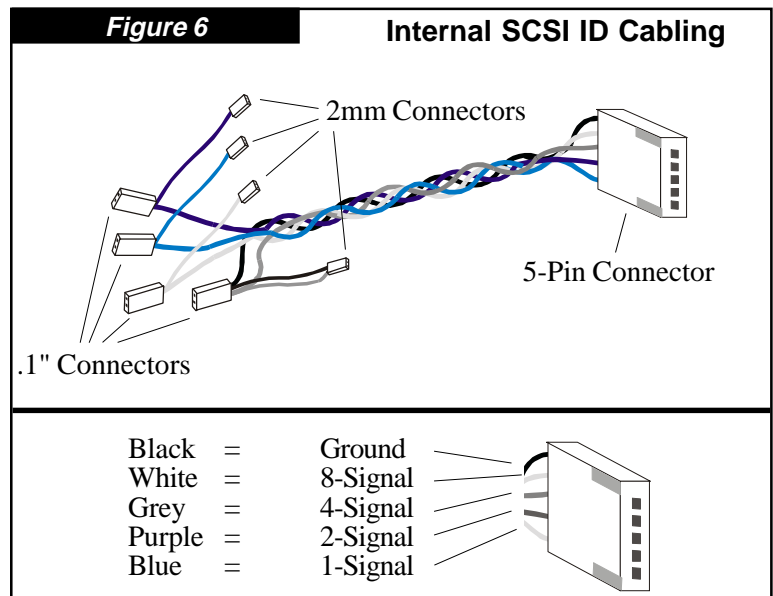
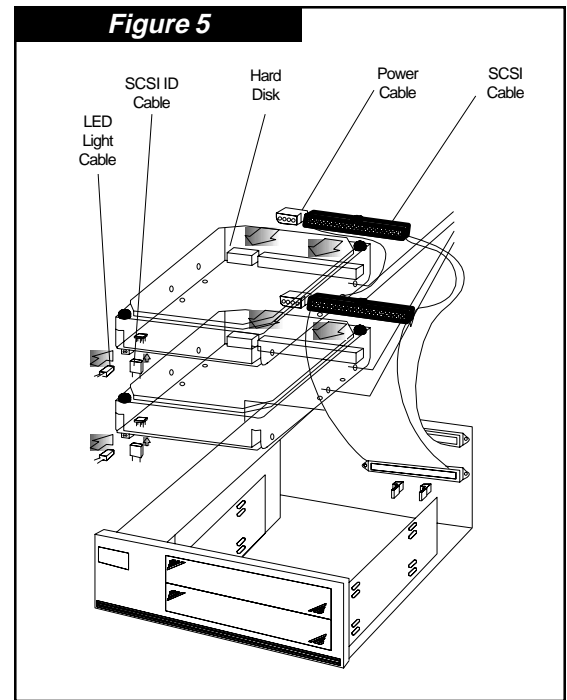
- 3) Locate the LED Light connector on your hard disk. Attach the Black wire of the LED Light cable to the negative lead of the LED Light connector and the White wire to the positive lead of the LED Light connector.

**Note:** Many user's guides do not call out the negative and positive leads of the LED Light connector on the hard disk. If Disk Activity Light (Figure 3) is not operating, simply reverse the connectios inside the hard disk enclosure. This process will not cause damage.

- 4) Connect the SCSI cable and power cable (Figure 5). The connectors on both of these cables are "keyed" and will only allow for proper installation.

## Finishing The Installation

- 1) Mount the hard disk to the metal slide-out mounting tray by using the four(4) screws provided (Figure 5). If installing two drives use the dual half height brackets.
- 2) Slide the cover onto the mounting tray. Be careful not to pinch any wires.
- 3) Turn the enclosure over and replace the four screws as in (Figure 7)



# DataStor

12601 Monarch Street  
Garden Grove, CA 92841-3918  
800-777-6621 Fax: 714-833-9600

Copyright 2001 by DataStor, Inc. All rights reserved. No part of this document may be reproduced in any form without prior written consent from DataStor. The information and specifications in this document are subject to change without notice. Changes to this document are incorporated in new versions. DataStor, and the DataStor logo are registered trademarks of DataStor, Inc. Other trademarks used herein are the property of their respective owners. This document was printed in the United States Of America.